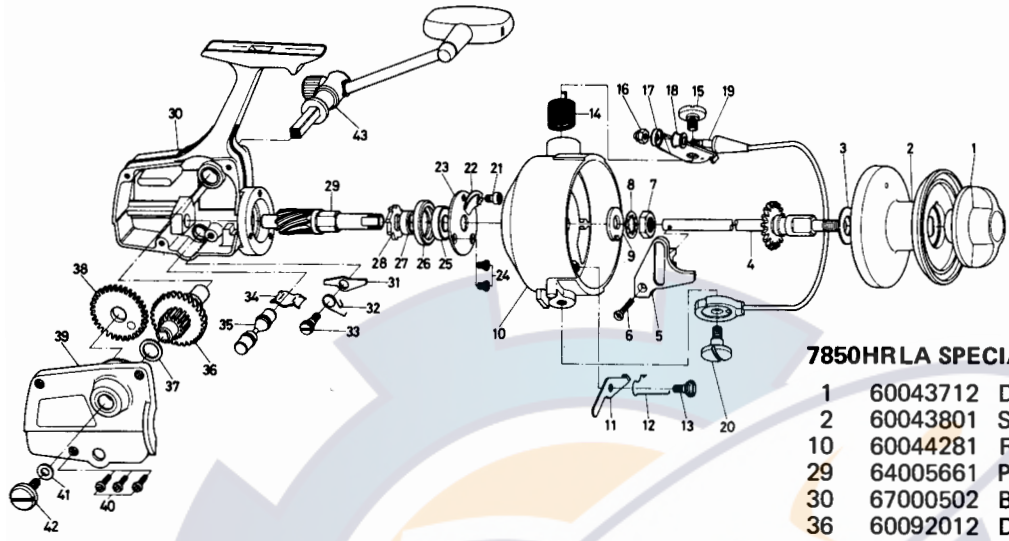




**SPINNING REEL**  
**7850RLA**  
**7850HRLA**



**7850HRLA SPECIAL PARTS**

- 1 60043712 Drag knob
- 2 60043801 Spool assembly
- 10 60044281 Rotor
- 29 64005661 Pinion
- 30 67000502 Body
- 36 60092012 Drive gear
- 39 60091905 Body cover
- 43 60091701 Handle

**LINE CAPACITY: 300 YDS., 20 LB. TEST (290m Dia. 0.45mm)**

Key No.	Parts No.	Parts Name	Key No.	Parts No.	Parts Name
1	60043712	Drag knob	23	66303801	Ball bearing ret. washer
2	60043801	Spool assembly	24	63520901	Ball bearing ret. screw
3	63746301	Spool washer	25	66331001	Ball bearing
4	60014341	Main shaft	26	66343601	Adjust ring
5	64806821	Oscillating slider	27	65001213	Pinion collar
6	63531401	Oscillating slider screw	28	62801011	Ratchet
7	63404601	Rotor nut	29	64009261	Pinion
8	61601711	Rotor washer	30	67000501	Body
9	63713911	Rotor retaining washer	31	61101921	Anti-reverse claw
10	60044281	Rotor	32	61409821	Anti-reverse claw spring
11	65703041	Bail kick lever	33	63607231	Anti-reverse claw screw
12	61409921	Bail kick lever spring	34	61503721	Anti-reverse lever spring
13	63622802	Bail kick lever screw	35	65402141	Anti-reverse lever
14	61409611	Bail spring	36	60092001	Drive gear
15	63623001	Arm lever screw	37	63716420	Drive gear washer
16	63408501	Bail nut	38	60091801	Oscillating bull gear
17	62302241	Arm lever	39	60091904	Body cover
18	62501501	Line roller	40	63515901	Body cover screw
19	60044131	Bail	41	63718331	Handle washer
20	63622901	Bail holder screw	42	63622701	Handle screw
21	63622601	Cushion spring retaining screw	43	60091701	Handle
22	61503811	Cushion spring			